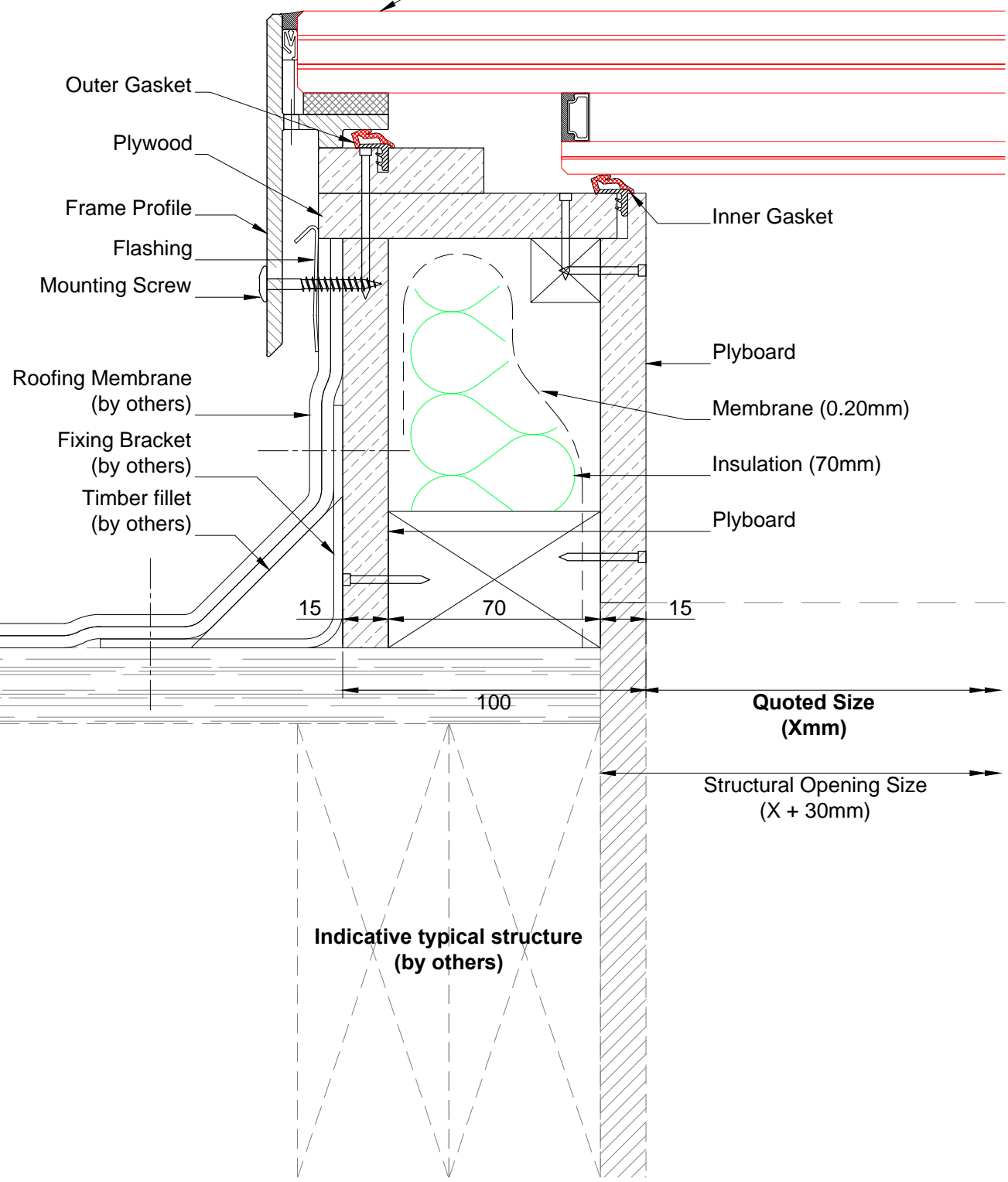
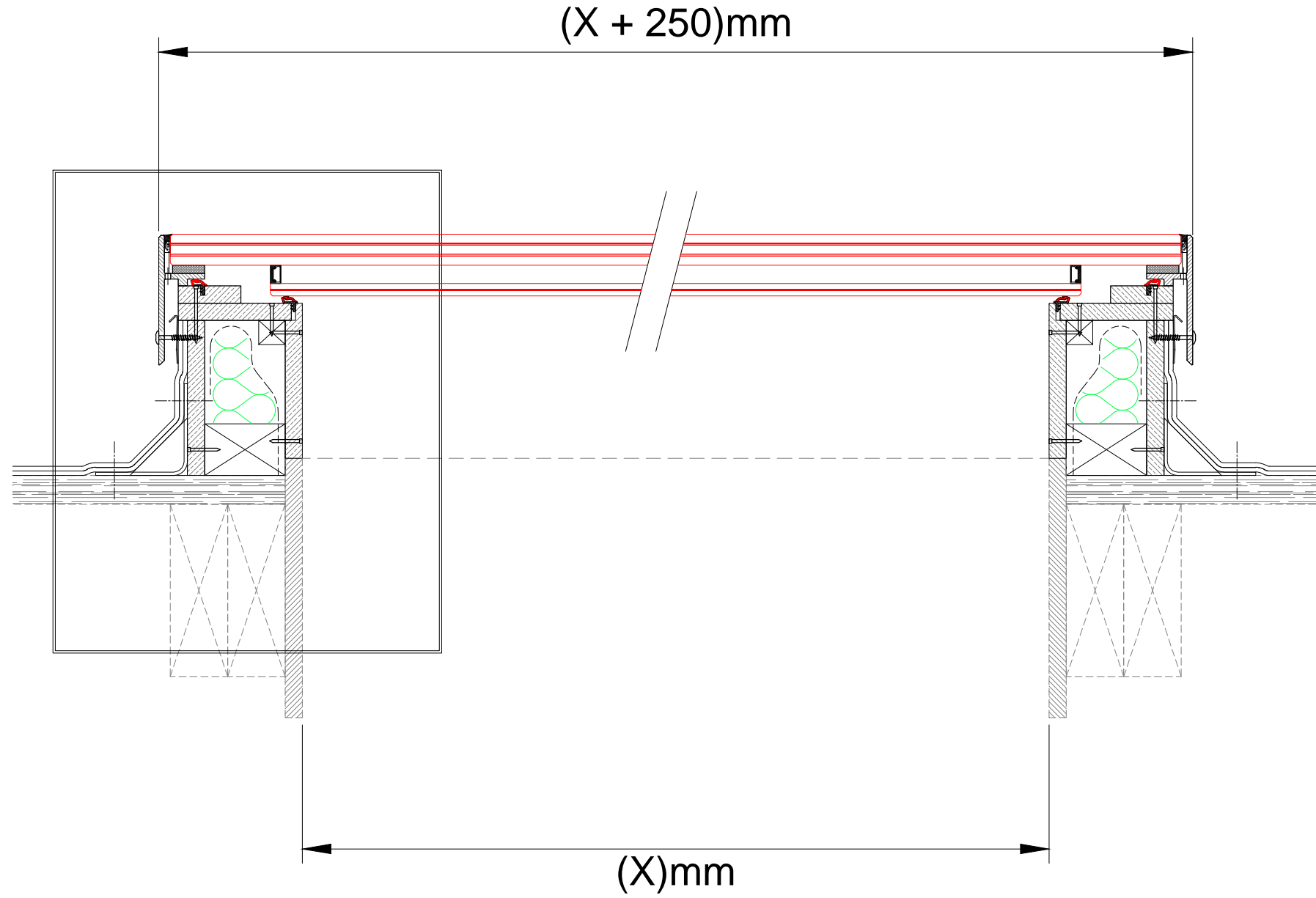


Double Glazed Unit:*
 27mm toughened and heat strengthened laminated
 16mm argon filled cavity with TGI "warm edge" spacer
 10.8mm laminated low 'E' float
 *Please see the box at bottom right for full specification



SCALE 1:2 @ A3



*** GLASS SPECIFICATION:**

<p><u>Outer Pane (27.04mm laminated):</u> 8mm clear toughened heat strengthened 1.52mm laminate interlayer 8mm clear heat strengthened float 1.52mm laminate interlayer 8mm clear heat strengthened float</p>	<p><u>Internal Void (16mm):</u> 16mm Argon filled cavity</p>	<p><u>Inner Pane (10.76mm laminated):</u> 5mm clear float with low 'E' coating 0.76mm laminate interlayer 5mm clear float</p>
--	---	--

SCALE 1:5 @ A3



VELUX Company Ltd.
 Woodside Way
 Glenrothes
 Fife
 Scotland
 KY7 4ND
 Telephone:
 +44 (0) 1592 778 246

WALK-ON (with 150mm upstand)
 (glass suitable for "Large Size")